



US005176517A

United States Patent [19]

[11] Patent Number: **5,176,517**

Truax

[45] Date of Patent: **Jan. 5, 1993**

[54] **DENTAL UNDERCUT APPLICATION DEVICE AND METHOD OF USE**

[75] Inventor: **Lloyd H. Truax**, Rochester, Minn.

[73] Assignee: **Tru-Tain, Inc.**, Rochester, Minn.

[21] Appl. No.: **782,159**

[22] Filed: **Oct. 24, 1991**

[51] Int. Cl.⁵ **A61C 13/12**

[52] U.S. Cl. **433/180; 433/9; 433/215; 433/226**

[58] Field of Search **433/3, 9, 18, 180, 181, 433/215, 218, 226**

[56] **References Cited**

U.S. PATENT DOCUMENTS

Re. 15,265	1/1922	Roach	433/46
1,367,477	2/1921	Homer	433/218
1,410,311	3/1922	Howe	433/40
2,889,625	6/1959	Saffir	433/180
3,357,104	12/1967	Greene et al.	433/40
3,521,355	7/1970	Pearlman	433/3
3,745,653	7/1973	Cohl	433/9
3,835,538	9/1974	Northcutt	433/9
4,398,887	8/1983	Balde et al.	433/218
4,445,861	5/1984	Klepacki	433/9
4,449,928	5/1984	von Weissenfluh	433/40
4,768,957	9/1988	Segura	433/181

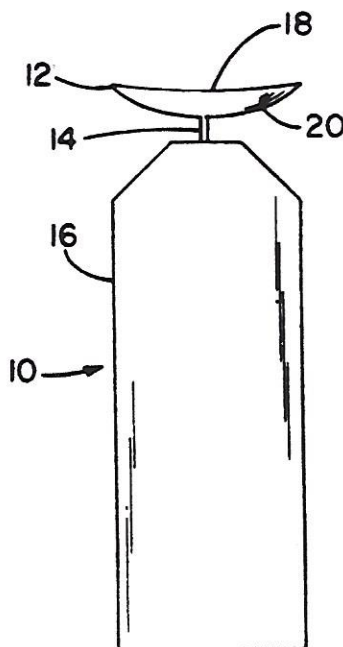
4,773,857	9/1988	Herrin	433/9
4,834,654	5/1989	Nussbaum	433/141
4,881,898	11/1989	Harvey, Sr. et al.	433/215
4,971,558	11/1990	Jacobi	433/226
5,040,981	8/1991	Oliva	433/141

Primary Examiner—John J. Wilson
Attorney, Agent, or Firm—Merchant, Gould, Smith, Edell, Welter & Schmidt

[57] **ABSTRACT**

A dental undercut application device for producing an undercut on the surface of a tooth for securing a dental appliance. The application device contains an undercut or applique with a curved front side for engagement with the surface of the tooth and a stem on the back side attached to a locator tab. The locator tab can be grasped when applying the adhesive to the front side of the undercut and for locating the undercut on the surface of the tooth while the adhesive cures. When the undercut is secured to the tooth, the stem is cut and the tab removed. The back side of the undercut may then be smoothed to match the contour of the tooth. Clasps on removable orthodontic appliances or removable partial dentures engage with the undercut to retain the dental appliance or denture in the patient's mouth.

17 Claims, 2 Drawing Sheets



ance fees
s and six
fter upon
g of the
nt of the
before the
pire as of